

LIGHTING

Small Portable Lights,
Metal Halide Tow Behinds and LED Tow Behinds



SMALL PORTABLE



LIND/BEACON970

- As bright as a 500W quartz halogen
- LED chip withstands shocks, vibrations
- IP65 weatherproof rated



LIND/BEACON360 GO*

- 4 hours at 100%, 8 hours at 50%, 25 hours at 15%
- Eliminate extension cords and generators
- 4-5 hour charge time



PROBUILT/WOBBLELIGHT V3

- Self-righting and no hot surfaces
- 36" height for low clearance and high-output
- 360-degree lighting angle



LIND / BEACON360 BLAZE*

- Replaces a 400W metal halide light
- 25-foot cord, daisy-chain capability
- Three-way rocker switch (100%/off/50%)



LIND / BEACON980 CART W

- 12-foot adjustable mast with winch
- Foam-filled rubber tires
- Instant start-up, stays cool to the touch



POWERMOON / PL600LED

- Glare free 360-degree lighting
- Indoor or outdoor use
- Umbrella style open/close system, no air inflation

*Optional accessories include floor stand, magnets and clamp

MAKE	MODEL	TYPE	RANGE	LIGHT TYPE	LUMENS	POWER	LIGHTS	CAT-CLASS
LIND	BEACON970	Flood	50'	Flood LED	5,000	110v	50W LED	110-1550
LIND	BEACON360 GO	360 Degree	25'	Area LED	6,000	Rechargeable battery	45W LED	110-1577
Probuilt	WOBBLELIGHT V3	Floor	35'	Self-righting LED	8,600	120v	80W LED	110-1570
LIND	BEACON360 BLAZE	360 Degree	50'	Area LED	14,000	110v	60W LED	110-1575
LIND	BEACON980-CART-TD-W	Single Head Cart	120'	Flood LED	30,000	110v	200W LED	110-1553
LIND	BEACON980-CART-W	Dual Head Cart	240'	Flood LED	60,000	110v	(2) 200W LED	110-1555
Powermoon	PL600LED	Diffused	30'	Balloon LED	75,000	110v	600W LED	110-1580

HAZARDOUS LOCATION



LIND/GST50

- Ideal for wet environments
- Includes 12V inline transformer and 50 ft power cord
- Transformer must be positioned outside of rated area



LIND/XP1830LED-50XP

- Wide, shadow free crisp white flood light
- Uses 56% less energy than metal halide bulb
- Suitable for wet locations



WOLF SAFETY/ALEX TURBOITE

- Constructed to survive jobsite handling
- Interchangeable anti-glare diffusers-color filters
- Thermal temperatures rated at T5

MAKE	MODEL	VOLTAGE	WATTS	LUMENS	APPROVALS	WEIGHT	CAT-CLASS
LIND	GST50	12v	75W Incandescent	1,430	UL approved for Class I, Division 1, Groups C & D(light head only)	20 lbs	110-2100
LIND	XP162LED-50P	120V	9W LED	1,600	cUL and UL approved for Class I, Division 1, Groups C & D	37 lbs	110-2000
LIND	XP1830LED-50XP	120V	39W LED	3,600	cETLus approved for Class I Division 1 Group C and D areas; Class I Division 2 Groups A,B,C,D; Class II Division 1 & 2 Groups F and G	24 lbs	110-2044
Wolf Safety	ALEX TURBOITE	Compressed Air	250W Halogen	6,000	CE marked to ATEX Directive, for use in zones 1 and 2 Hazardous Areas	16 lbs	110-2041

METAL HALIDE TOW BEHINDS




GENERAC MAGNUM/MLT6SK

- Wider wheel base
- Longer tongue for improved towing
- Largest fuel tank in its class



GENERAC MAGNUM/MLT3060K

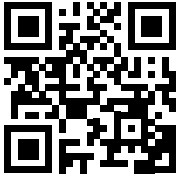
- 360-degree mast rotation
- 120v and 240v convenience receptacles
- Withstands 65+ mph winds



WATCH VIDEO

LIGHT TOWERS

Scan code to view our light towers in action during Irma power restoration



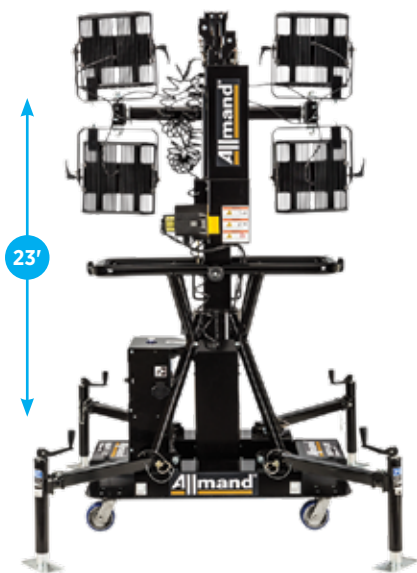
MAKE	MODEL	TYPE	HEIGHT	MAST TYPE	GENERATOR	POWER	LIGHTS	RUN TIME	CAT-CLASS
Generac Magnum	MLT6SK	Towable	23'	Vertical	6 kW	Kubota Diesel	(4) 1,050w Metal Halide	90 hrs max	510-1030
Generac Magnum	MLT3060K	Towable	30'	Horizontal	6 kW	Kubota Diesel	(4) 1,050w Metal Halide	64 hrs max	510-1035

LED LIGHT TOWERS

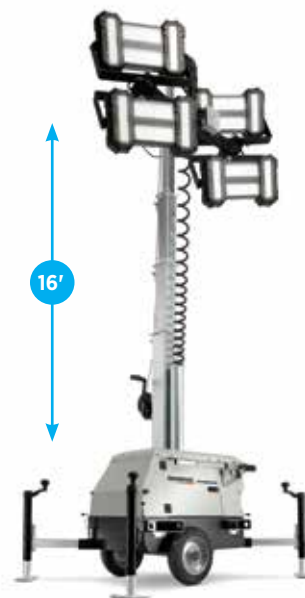
GENERAC MOBILE Allmand



23'



23'



16'

GENERAC MAGNUM / MLT6SMD

- Fuel efficient ECOSpeed diesel engine achieves 205 hours of run time
- Power Zone autolight controller for dusk to dawn operation or 7-day scheduler
- Qty (17) fit on a 48-foot truck

ALLMAND / NIGHT-LITE E-SERIES

- Electric winch and automatic on/off functionality
- Multi-directional forklift pockets for easy deployment
- Qty (41) fit on a 48-foot truck

GENERAC MAGNUM / PLT240

- Manual winch and compact design fits through standard doorway
- Two towers can be linked from a single 120V power source
- Qty (33) fit on a 48-foot truck

MAKE	MODEL	TYPE	MAST HEIGHT	GENERATOR	POWER	LIGHTS	RUN TIME	WEIGHT	CAT-CLASS
Generac Magnum	MLT6SMD	Towable	23'	5kW	Diesel	(4) 296W LED	205 hrs	1,602 lbs	510-1055
Allmand	Night-Lite E-Series	Manual Push	23'	N/A	115V/15A	(4) 320W LED	Unlimited	720 lbs	510-1082
Generac Magnum	PLT240	Manual Push	16'	N/A	120V/15-20A	(4) 240W LED	Unlimited	558 lbs	510-1080

POWER CONNECTIONS



A. Single PLT240 Operation (5-15P – 5-15R)

- 115v 15 amp required
- 300-feet from input power source with 12/3 cable

B. Multiple PLT240 Operation (L5-20P – L5-20R)

- 120v 20 amp required
- Second tower can be up to 200 feet from the first tower with 10/3 cable
- Power to first PLT240, must utilize cord with L5-20 plugs

Old Technology Doesn't Hold a Candle To **LED**

With the recent advances in lighting technology, the new generation of LED light towers will match or beat the brightness of a traditional 1,000-watt metal-halide light tower at a reduced operating cost.

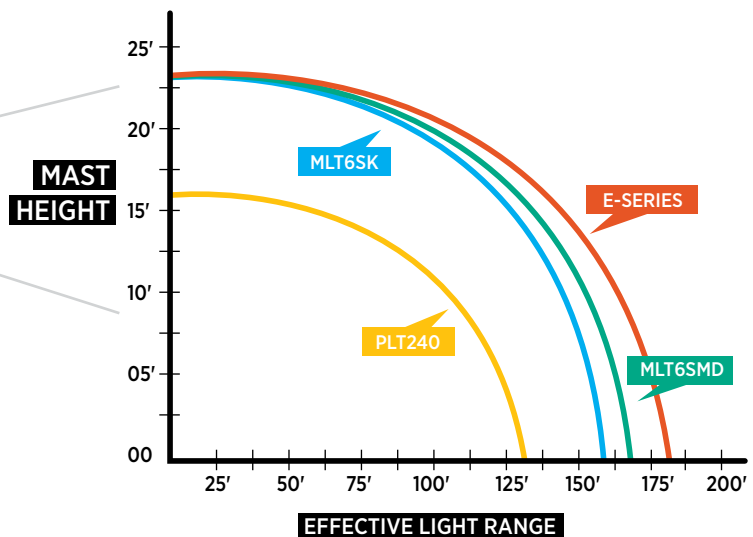
- 50%+ reduction in energy usage/fuel consumption
- Extend run times by more than 200%
- Instant on/off
- Reduced heat
- No bulb-changing
- Electric light towers approved for indoor/outdoor use

METAL HALIDE VS LED

The numbers don't lie

	METAL HALIDE	LED LIGHT TOWERS		
				
MODEL	GENERAC MAGNUM MLT6SK	GENERAC MAGNUM MLT6SMD	ALLMAND NIGHT-LITE E-SERIES	GENERAC MAGNUM PLT240
LUMENS	246,300 Lumens	172,000 Lumens	154,000 Lumens	88,000 Lumens
FUEL CONSUMPTION PER HOUR	0.42 Gal	0.20 Gal	0 Gal	0 Gal
DIESEL PRICE PER GALLON AVG.	\$3.50	\$3.50	n/a	n/a
FUEL COST PER HOUR	\$1.47	\$0.70	\$0.13	\$0.10
RUN HOURS PER SHIFT	10	10	10	10
OPERATING COST PER MONTH*	\$294	\$140	\$26	\$20

*10 hour shifts per day x 20 workdays per month





Allocating appropriate resources to implement safety-oriented operational practices and procedures; and
Making every day the "Perfect Day."

